

## DAWN ENTERPRISES INC.

9155 Sweet Valley Dr., Valley View, OH 44125  
Phone: (216) 447-1777 or (800) 548-4867  
Fax: (216) 447-3416  
www.dawn-ent.com

## INSTALLATION INSTRUCTIONS G.T.

PART NUMBER: MAX09  
FOR: 2009 + Nissan Maxima  
EFFECTIVE: 02.23.10

### INSTALLATION PACKAGE INCLUDES:

- A) 3 – ¾" Zinc Screws
- B) 3 – Zinc Lock Washers
- C) 3 – Zinc Flat Washers
- D) 4 – Round Tape Gaskets
- E) 2 – Electrical Connectors
- F) 1 – Drivers' Side Template – *flip template over for Passenger Side – this template is to be placed inside the trunk lid as shown in **Diagram B on back of sheet***
- G) 1 – ¼" Plastic Tubing – *use this in Step #8 to pull Sportwing® wire harness wires through the factory rubber harness.*
- H) Instruction Sheet

### EXTRA TOOLS NEEDED:

- 1. Spray can of Silicone Lubricant

### PLEASE READ ALL INSTRUCTIONS BEFORE BEGINNING INSTALLATION

1. **REMOVE TRUNK COVER.** See **Diagram A on Page 2.** Starting on the drivers side, measure down **8 ¾"** from the tip of the trunk lid back toward the rear of the car and place a mark with a grease pencil. Repeat procedure on other side.
2. Leaving the plastic liner on the bottom of mounting area, place the Sportwing® on the marks made in Step #1 so that as you face the rear of the car, the front tips of the Sportwing® rests on the mark. Center the Sportwing® from left to right along the marks made in Step #1. Using a grease pencil, outline each outer mounting area. Set Sportwing® aside.
3. Open the deck lid, **See Diagram B on Page 2 for placement of template**, and using the drivers' side inside fastening template, provided, drilling from inside of open deck lid, drill a 1/8" or similar pilot hole at the designated spot on the template. Next, repeat procedure on the passenger side by flipping the drivers' side template over.
4. Keep deck lid open, notice the factory cut out in the center of the open deck lid. **See Diagram C on Page 3 for drilling center fastening location and harness wire hole.** Using a 1/8" drill bit or similar and drilling from inside of the open deck lid, drill a 1/8" pilot hole through both designated spots, **as shown on Diagram C on Page 3.**
5. Close the deck lid and using a uni-bit (**NOTE: we suggest using a uni-bit for a cleaner cut**) you will need to open the four (4) 1/8" pilot holes that you made in the top panel of the deck lid to 3/8". After opening holes to 3/8" apply touch up paint or chromate primer on the edges of the 3/8" holes.
6. **IMPORTANT! DO NOT SKIP THIS STEP!** Next, using the four (4) round black tape gaskets, provided, peel the paper liner off and center them over the four (4) 3/8" holes that you made in the deck lid.
7. Remove the plastic liner from the bottom of the mounting feet and feed the brake light wires of the Sportwing® through the wire harness hole made in Step #4 (**NOTE: be careful not to crimp the brake light wires as you position the Sportwing® for installation**) and lightly place the Sportwing® back onto the outline marks that you made in Step #2. Holding onto the Sportwing®, open the deck lid and make sure the 3/8" holes in the deck lid align with the three (3) mounting holes on the bottom of the mounting feet. If the holes do not align, relocate the Sportwing® if necessary or you may have to open the 3/8" holes to 7/16". Repeat procedure until alignment is correct. When satisfied with alignment, press firmly into place. Install mounting screws with lock washers and flat washers and tighten screws half way until all three (3) are started, then tighten firmly. **DO NOT OVER TIGHTEN.**
8. Run the Sportwing® wires down to the bottom of the drivers' side deck lid. Notice black factory rubber harness. Next, unplug factory rubber harness from deck lid and also unplug opposite end of black factory rubber harness connected to rain channel of trunk. Using silicone spray, spray inside rubber factory harness to lubricate. Using plastic tubing wire puller, provided, tape the Sportwing® harness wires along side of tubing and tape tightly into place. **See Diagram D on Page 3.** Using pointed end of tubing, push tubing through factory rubber harness,

pulling Sportwing® wires through to the other end. Pull Sportwing® wires completely through harness so that you will have enough wire to run to the drivers' side factory taillight. **See Diagram E for factory harness location on Page 3.** Using the electrical connectors, provided, connect the white (*hot*) wire of the Sportwing® to the orange wire with silver slashes. Connect the white wire with blue stripe (*ground*) of the Sportwing® to the black wire with silver slash in the same group of wires.

9. Clean up any metal shavings and you are done. If you have any questions, problems or if you would like information about other quality Sportwing® products, please call the TOLL FREE number at the top of this sheet. Thank you for choosing Dawn Enterprises, Inc.

DIAGRAM A

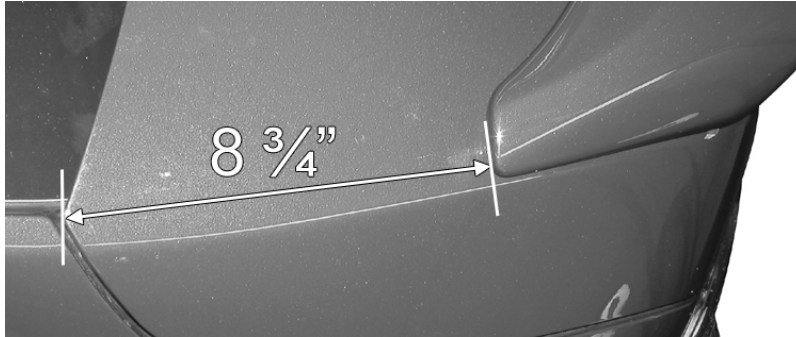


DIAGRAM B

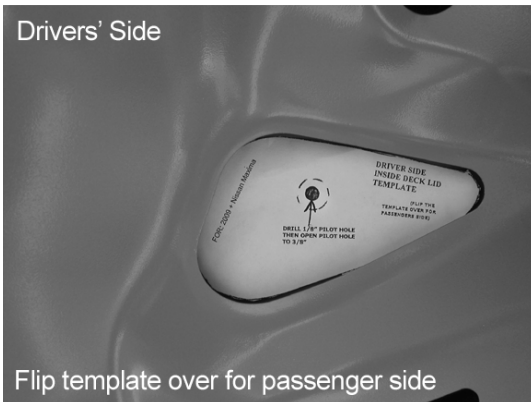


DIAGRAM C

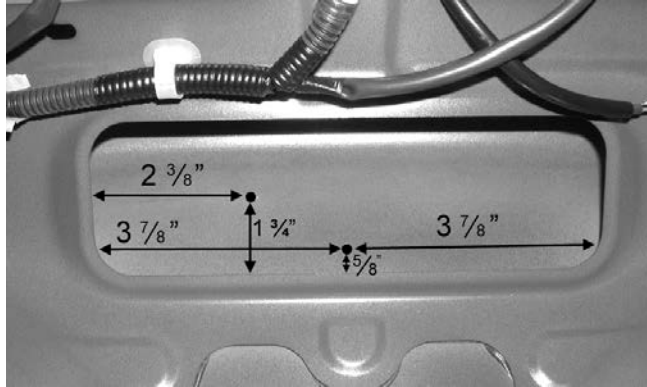


DIAGRAM D



Spray silicone lubricant into factory rubber harness to lubricate. Insert wire puller, provided, into the factory rubber harness through to the other end, then pull Sportwing® wires through so the Sportwing® wires can be inserted through the rain channel hole.

DIAGRAM E



Pull back trunk liner on drivers' side. Notice wire harness with approximately seven wires, connect the white Sportwing® wire (*hot*) to the orange wire with silver slashes. Next, connect the white wire with blue stripe (*ground*) of the Sportwing® to the black wire with silver slashes in same group of wires.